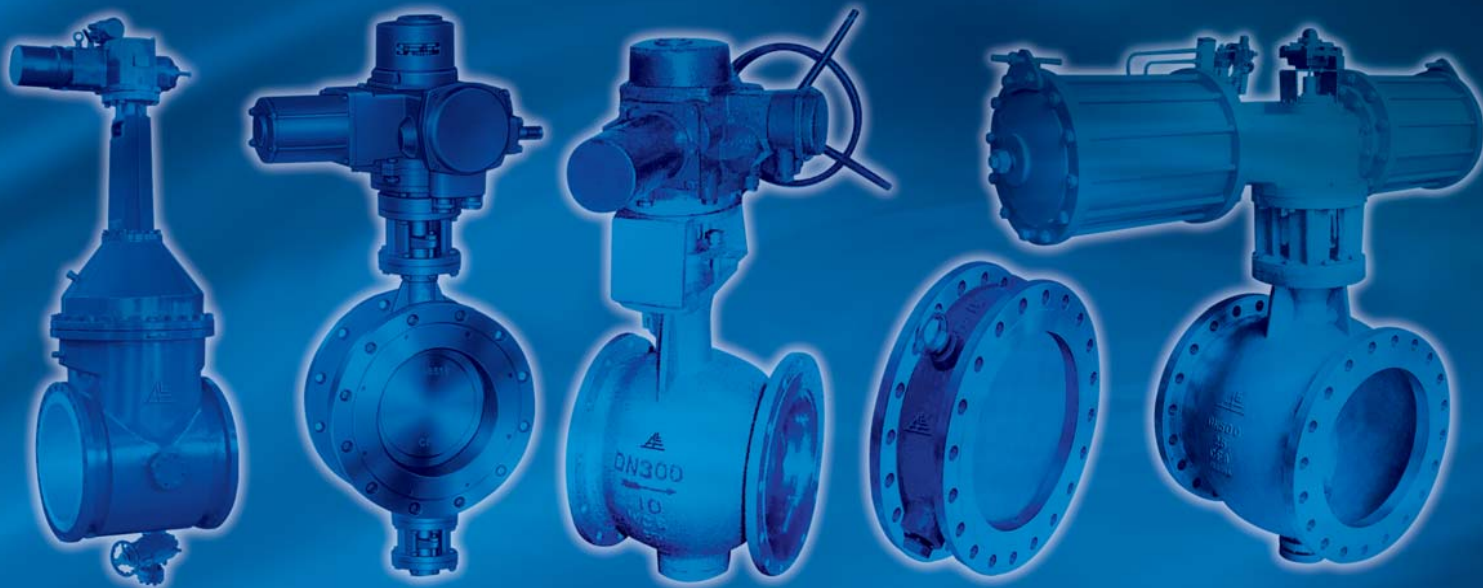


# 三聚氰胺专用阀门 Melamine Special Valves



全方位的管道解决 **方案专家**

**上海华通阀门有限公司**  
SHANGHAI HUATONG VALVE CO.,LTD.



# 立足上海 走向世界

BASE ON SHANGHAI AND GO TO THE WORLD





## 公司简介

上海华通阀门有限公司是一家通过国家质检总局TS、挪威船级社ISO9001-2000-DNV、美国船级社ABS、美国石油学会API-6D-0459、欧盟CE-0036认证以及澳大利亚SAI-WATERMARK认证，具有注册资金6000万元，自营进出口权的阀门专业制造企业。工厂及行政办公区分别座落于上海嘉定、漕河泾国家高新技术园、安徽和县等地，共占地面积约11万平方米，拥有先进的机械加工设备与完善的理化检验及性能测试设备，员工300多人，其中工程技术人员约占17%，2008年阀门产值超亿元，且在席卷全球金融危机经济危机之时，公司果敢实施逆势扩张企业战略布局，在安徽和县新建阀门生产基地——上海华通斯瑞尔阀门有限公司，进一步优化企业资源配置，降低生产、经营成本，极大地提高了企业的综合实力和發展潜能，使公司稳步跨入国内阀门行业先进制造企业之列。

依照“完善体系、科学管理、产品一流、顾客满意”的质量方针建立和完善了质保体系，并于1999起先后通过了国家质检总局TS、挪威DNV、美国API、美国ABS、欧盟CE、澳洲SAI、等一系列认证和政府许可。为全面提高企业综合竞争力、公司每年斥巨资用于新产品创新研发与员工教育培训，并先后与上海交大、上海大学、合肥通用机械研究院、上海通用机械研究所、台湾健峰等科研院校建立长期的产、学、研联合体和员工培训教育合作基地。严格按照中国GB、英国BS、美国ANSI、API、AWWA、MSS、德国DIN、日本JIN、澳洲AS等标准设计、生产各种材质的“上华”牌蝶阀、闸阀、球阀、截止阀、止回阀、水力控制阀等系列产品。驱动操作方式有手柄、蜗轮蜗杆手动、气动、电动、液动、电液动等方式可供选择。根据产品使用工况的要求，阀门材料和密封结构可实现多种优化配置，以满足用户对产品的不同需求，使阀门在各种压力、温度、工况及介质条件下确保其密封性、抗磨性、耐蚀性和安全性。公司自主研发的“上华”牌双向密封高性能蝶阀、高抗磨蝶阀、高抗耐磨刀闸阀、轴流式止回阀、快关（开）带锁闭功能调节阀等新产品被广泛应用于电力、冶金、石油、化工、轻纺、环保、城建、造船、食品医药和国防科研等领域，填补国内长期无法满足的需求空缺，并出口欧美、澳洲、中东等国际市场深受用户好评。

辉煌成就铸造诸多荣誉。产品通过国家质量监督机构的性能测试，获得国家特种设备制造许可证，被评为建设部和国家城镇供水协会的推荐产品，并多次获得国家、上海市优质产品奖，及“重合同、守信用”单位和“质量免检单位”称号。现为中国石油天然气集团公司（CNPC）、中国石油化工集团股份有限公司（Sinopec Corp）、中国化工装备总公司（CNCE）、中国电力物资（CWEME）阀门网络供应的成员单位，荣获蝶阀、闸阀、止回阀、球阀等专利证书。公司是国家阀门标准化委员单位，曾主持、参与起草了国家GB/T12238-2008、GB/T21386-2008、GB/T21387-2008的蝶阀、止回阀、减压阀、闸阀等多项国家阀门标准。

公司始终遵循“质量第一、用户满意”的经营宗旨。公司设有安装调试、技术培训、产品维修和零配件供应的专门服务机构，承接非标及引进阀门的设计制造，竭诚为用户提供高科技的优质产品和满意的服务。

为拓展市场和提升企业发展的需要，公司正不断扩大投资规模，海纳各方英才，热忱欢迎国内外客户前来洽谈惠顾和指导工作，建立业务和经济技术方面的广泛合作。

## Brief Introduction

Shanghai Huatong Valve Co., Ltd. is a professional valve manufacturer with independent import&export rights, The company has 60 million yuan, of registered capital and has passed the certification of AOSIQ TS, ISO9001-2000-DNV, ABS, API-6D-0459, CE-0036 and SAI-WATERMARK.. The plant and the administration area are respectively located in Shanghai Jiading district, Shanghai Caohejing national Hi-Tech developing park and Hexian Anhui province, totally covering an area of about 110,000 square meters.

The plant is equipped with the advanced mechanical facilities and the inspecting apparatus, there are more than three hundred employees and among them there are about seventeen percent of technicians and engineers. The output value has exceeded one hundred million RMB. When the financial crises had been sweeping the globe, the company determined to implement the strategic layout of enlarging investment against the situation, set up a new product base in Hexian Anhui province —— Shanghai Huatong Sreal Valve Co.,Ltd. The move bring further optimize the allocation resources, reduce production and operating costs, greatly improve the overall strength and development potential, which make the company firmly enter into the team of advanced manufacturing companies in domestic valve industry.

Guided under the quality policy "Perfect System, Science Management; Top Product, Customer Satisfaction", the company has set up and improved the quality management system. It has passed TS, ISO9001-DNV and CE approvals, and got API-6D-0459, ABS and SAI certificates in sequence since 1999.

In order to enhance products competitive and improve products technical grade, the company spending huge sums for new product innovation and staff education training, and it has establish relationship with Shanghai University, Hefei General Machine Research Institute, Shanghai General Machine Research Institute and Vigor Management Technology Association for a long-term cooperation including industry, academia, research and staff training and education consortium.

In strict accordance with GB, BS, ANSI, API, AWWA, MSS, DIN, JIS and AS standards, the company manufactured the ranges of "SHANGHUA" brand valves products, include gate valves, ball valves, globe valves, butterfly valves, check valves, Y type strainers etc.. And there are hand wheel, worm gear, pneumatic and electric actuator available for selection.

Materials, seal structures and driving modes can be optimized to be incorporated to satisfy clients' different demands on valves, ensuring its performances on sealing, abrasion resisting, corrosion resisting and safety under conditions of different pressure, temperature and medium.

The company has independently developed many new products upon requests of markets, such as Bi-directional high performance butterfly valve, high anti-abrasion butterfly valve, axial check valve and quick shut on/off regulating valve with lock, by now these innovative products are wildly used in the industries of petrochemical, chemistry, iron and steel, power station, papermaking, pharmacy, and city construction etc., these are not only fill the long-term insatiable vacancies in domestic, while exporting to Europe, Australia, Middle East and other international markets they receive many praise by users.

Honors depends on brilliant achievements. The company's products pass through the performance testing of National quality supervision agency, access to the national special equipment manufacturing license, and was awarded as the recommended products by Ministry of Construction and the National Water Supply Association.. It has also won several national and Shanghai's quality award, "heavy contract, keep promise" unit and "quality inspection unit". And possessed many patents on butterfly valve, check valve and ball valve, and was involved in presiding and drafting national valve standards of butterfly valve, check valve, reduce pressure valve and gate valve (GB/T12238-2008、GB/T21386-2008、GB/T21387-2008). Now the company has become a network member supply valve to CNPC, Sinopec CNCE, CWEME..

The company always follow the "quality first, customer satisfaction" business purposes. The company has installation and commissioning, technical training, product maintenance and spare parts supply of specialized services, to undertake non-standard and the introduction of valve design and manufacturing, dedicated to providing high quality products and satisfactory service to clients.

In order to develop market and improve enterprise developing demands, the company is continued to make investment on enlarging manufacturing capabilities and recruit elites. Sincerely welcome domestic and oversea clients to come here or contact us for mutual profits, further more establish the business relationship and seeking for the widely economic and technical cooperation.



序号 NO.	产品型号 Type	名称 Name	规格 Specification	页次 Page
一	RND343H-16RL RND343H-25RL	RND343H-40RL 熔融尿素用蝶阀 Molten urea butterfly valve	(DN200-800)	1
二	NMQ347GY-16P NMQ347GY-25P	NMQ347GY-16C NMQ347GY-25 催化剂用耐磨阀 Wear resistant valve for Catalyst	(DN50-400)	3
三	BRZ942Y-16P BRZ942Y-25P	BRZ942Y-16C BRZ942Y-25 电动防结晶阀 Electric prevent crystal valve	(DN300-1200)	5
四	BRD943Y-16P BRD943Y-25P	BRD943H-16C BRD943H-25 电动防结晶蝶阀 Electric prevent crystal butterfly valve	(DN300-1200)	7
五	BQH643H-16P BQH643H-25P	BQH643H-16C BQH643H-25 气动保温换向阀 Pneumatic heat preservation steering valves	(DN250-800)	9
六	ZAJD4H-16P ZAJD4H-25P	ZAJD4H-16C ZAJD4H-25 气动调节阀 Pneumatic control valve	(DN200-1200)	11
七	NMQ347GY-16P NMQ347GY-25P	NMQ347GY-16C NMQ347GY-25 电动偏心耐磨阀 Electric eccentric wear resistant valve	(DN250-800)	13
八	VQ640GY-16P VQ640GY-25P	VQ640GY-16C VQ640GY-25 气动V型耐磨阀 Pneumatic V type wear resistant valve	(DN250-800)	15
九	HTH47H-16P HTH47H-25P	HTH47H-16C HTH47H-25 载气止回阀 Carrier gas check valve	(DN300-1200)	17



RND343H-16RL

RND343H-25RL RND343H-40RL

## 熔融尿素用蝶阀

(Molten urea butterfly valve)



### 产品特点

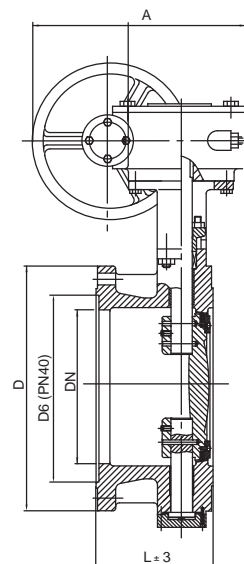
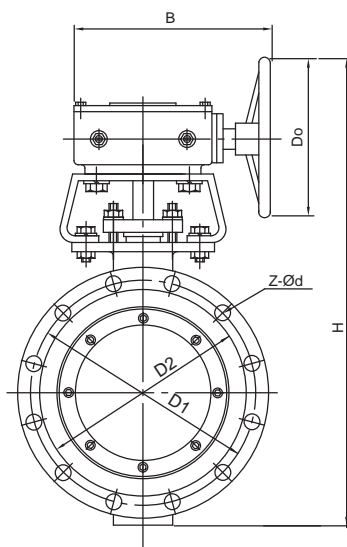
- 阀门是为三聚氰胺工艺系统中熔融尿素管路设计的专用阀门。
- 阀门采用层叠型金属密封结构，密封性能可靠，耐高温。密封面外层为硬质合金钢片，启闭过程刮除粘附在阀座密封面介质和结晶，保证密封的可靠性。
- 阀门分段轴设计，流线型蝶板，流阻小，流量特性好。
- 阀门可以增设保温夹套，适用高温气体对阀门保温。
- 阀门按照GB/T13927的规定进行压力试验；  
法兰连接尺寸按HG 20596的规定。

### Product feature

- The valve is special valves for molten urea pipeline in melamine process system.
- The valve take use of laminating metal seal structure, sealing performance reliable, high heat resistance. Outside of the seal face for hard alloy steel, which remove the medium and crystallization adhering to the seat seal surface during open the closing process, and guarantee the reliability of the seal.
- The valve is section axis design, streamlined board, small flow resistance , good flow characteristic.
- The valve can add thermal insulation jacket, which is suitable for high temperature gas to heat preservation of the valve.
- The valve pressure test according to GB/T 13927 standard ; Flange connecting diemension according to the 20596 HG standard.



专利号：ZL 2009 20208500.9



### 主要零部件材料 Main Parts Material

阀体、阀板 Body, Disc	阀杆 Spindle	阀门密封面 Valve seal	填料压盖 Packing gland	填料 Packing
CF3M	SS 316L	体密封面-本体密封 Body seal: body seat seal 板密封面-层叠SS 316L Disc seal: laminated SS 316L	CF3M	PTFE

RND343H-16RL

RND343H-25RL 主要外形与连接尺寸 Main Outline and Connecting Dimension

公称尺寸 DN	公称压力 PN	连接法兰尺寸 Flanged				外形尺寸 Dimensions				
		D	D1	D2	Z-Ød	L	H	A	B	Do
200	16	340	295	266	12-22	152	705	350	280	250
	25	360	310	274	12-26	152	705	350	280	250
250	16	405	355	319	12-26	165	775	350	280	250
	25	425	370	330	12-30	165	785	350	280	250
300	16	460	410	370	12-26	178	955	475	370	300
	25	485	430	389	16-30	178	970	475	370	300
350	16	520	470	429	16-26	190	990	475	370	300
	25	555	490	448	16-33	190	1005	475	370	300
400	16	580	525	480	16-30	216	1070	500	370	350
	25	620	550	503	16-36	216	1085	500	370	350
450	16	640	585	548	20-30	222	1145	525	370	400
	25	670	600	548	20-36	222	1160	525	370	400
500	16	715	650	609	20-33	229	1200	630	460	400
	25	730	660	609	20-36	229	1220	630	460	400
600	16	840	770	720	20-36	267	1350	655	460	450
	25	845	770	720	20-39	267	1355	655	460	450

RND343H-40RL 主要外形与连接尺寸 Main Outline and Connecting Dimension

公称尺寸 DN	公称压力 PN	对夹连接法兰 Flanged					外形尺寸 Dimensions				
		D	D1	D2	D6	Z-Ød	L	H	A	B	Do
200	40	375	320	284	260	12-30	152	715	350	280	250
250	40	450	385	345	313	12-33	165	795	350	280	250
300	40	515	450	409	364	16-33	178	980	475	370	300
350	40	580	510	465	422	16-36	190	1010	475	370	300
400	40	660	585	535	474	16-39	216	1105	500	370	350
450	40	685	610	560	525	20-39	222	1175	525	370	400
500	40	755	670	615	576	20-42	229	1230	630	460	400
600	40	890	795	735	576	20-48	267	1370	655	460	400

性能规范 Performance standard

型号 Type	RND343H-16RL		RND343H-25RL		RND343H-40RL	
公称压力 Nominal Pressure	PN16		PN25		PN40	
试验压力 (MPa) Test Pressure	壳体强度 Shell test	2.4	3.75		6.0	
	高压密封 Seal test	1.76	2.75		4.4	
适用介质 Suitable medium	熔融尿素 Molten urea					
适用温度 Suitable temperature	≤180°C					



NMQ347GY-16P NMQ347GY-16C  
NMQ347GY-25P NMQ347GY-25

## 催化剂用耐磨阀 (Wear resistant valve for Catalyst)

### 产品特点

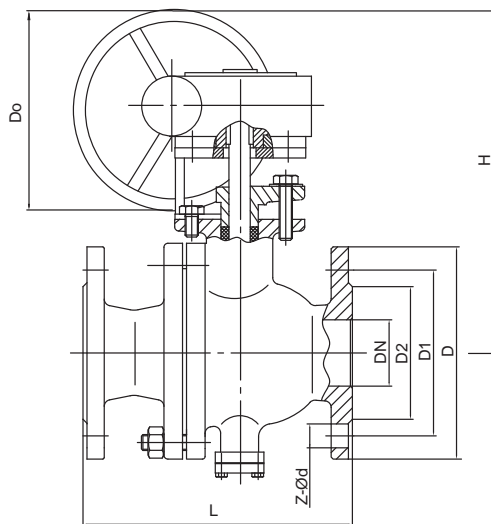
- 阀门是为三聚氰胺工艺系统中催化剂管道设计的专用阀门。
- 阀芯表面采用超音速火焰喷涂工艺喷涂碳化钨高硬涂层，阀座密封面堆焊司太立硬质合金，有效耐受粉状、颗粒状催化剂的冲刷和磨损，延长阀门的使用寿命。
- 阀杆选用高强度不锈钢，加大直径，提高与阀芯连接刚性，蜗轮箱采用双键结合。因此选用大一档蜗轮箱，增大了阀门的驱动力矩。阀门按照GB/T13927的规定进行压力试验；
- 法兰连接尺寸按HG 20596的规定。

### Product feature

- The valve is special valves for Catalyst pipeline in melamine process system.
- The valve core surface use the seattle flame process spraying high tungsten carbide hard coating, seat seal surface surfacing stellite hard alloy, effective tolerance for the scour and wear of the powder particles catalyst, prolong the service life of the valve.
- The valve stem choose high hardness stainless steel, increase diameter, improve the connection rigidity with the valve core. Turbine box adopts double bond union. choosing big level of turbine box to increase the valve driving moment.
- The valve pressure test according to GB/T 13927 standard ; Flange connecting diemension according to the 20596 HG standard.



专利号：ZL 2009 20208498.5



### 主要零部件材料 Main Parts Material

型号 Type	阀体 Body	阀芯 Ball	阀座密封面 Seat seal	阀杆 Spindle	填料 Packing
NMQ347GY-16P NMQ347GY-25P	CF8	CF8 密封面喷涂碳化钨 Seal face coating with tungsten carbide	堆焊司太立硬质合金 Hardfaced with stellite	17-4PH	柔性石墨 Flexible graphite
NMQ347GY-16C NMQ347GY-25	WCB	WCB 密封面喷涂碳化钨 Seal face coating with tungsten carbide	堆焊司太立硬质合金 Hardfaced with stellite	2Cr13	柔性石墨 Flexible graphite



NMQ347GY-16P NMQ347GY-16C  
 NMQ347GY-25P NMQ347GY-25 主要外形与连接尺寸 Main Outline and Connecting Dimension

公称尺寸 DN	公称压力 PN	连接法兰尺寸 Flanged				外形尺寸 Dimensions		
		D	D1	D2	Z-Ød	L	H	Do
50	16/25	165	125	99	4-18	200	186	160
65	16	185	145	118	4-18	241	210	160
	25	185	145	118	8-18	241	210	160
80	16/25	200	160	132	8-18	283	280	250
100	16	220	180	156	8-18	305	300	250
	25	235	190	156	8-22	305	300	250
150	16	285	240	211	8-22	394	530	400
	25	300	250	211	8-26	394	530	400
200	16	340	295	266	12-22	457	596	400
	25	360	310	274	12-26	457	596	400
250	16	405	355	319	12-26	533	720	600
	25	425	370	330	12-30	533	720	600
300	16	460	410	370	12-26	610	770	600
	25	485	430	389	16-30	610	770	600
350	16	520	470	429	16-26	686	830	700
	25	555	490	448	16-33	686	830	700
400	16	580	525	480	16-30	762	940	700
	25	620	550	503	16-36	762	940	700

性能规范 Performance standard

型号 Type	NMQ347GY-16P NMQ347GY-16C		NMQ347GY-25P NMQ347GY-25	
公称压力 Nominal Pressure	PN16		PN25	
实验压力 (MPa) Test Pressure	壳体强度 Shell test	2.4		3.75
	高压密封 Seal test	1.76		2.75
适用介质 Suitable medium	粉状、颗粒状催化剂 Powder, Granulate catalyzer			
适用温度 Suitable temperature	≤400°C			



BRZ942Y-16P  
BRZ942Y-25P

BRZ942Y-16C  
BRZ942Y-25

## 电动防结晶阀 (Electric prevent crystal valve)



### 产品特点

- 阀门是为需要保温运行，防止三聚氰胺工艺介质在阀门腔体内结晶，保证工艺系统正常连续运转而设计的专用阀门。
- 阀门设有保温夹套,适用高温气体对阀门保温.防止介质在壳体内壁结晶。
- 阀门设置内加热系统，利用高温气体介质对阀门腔体加热，防止介质在内腔结晶，保证阀门的顺利启闭。
- 阀门设置专用阀杆导向润滑机构,确保阀门频繁启闭操作下的长寿命。
- 压力试验标准：GB/T 13927  
法兰连接尺寸标准：GB/T 9113.1 HG 20596

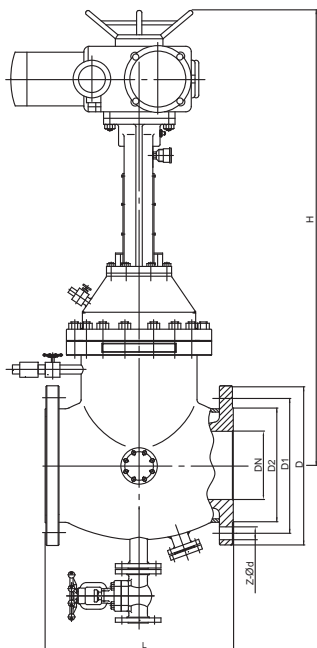
### Product feature

- The valve is special valves for which need heat preservation operation, prevent melamine process medium crystallization in the body cavity, ensure valve process system normal continuous operation.
- The valve has insulation jacket, use of high temperature gas to keep the valve temperature , preventing medium crystallization in shell wall.
- The valve installed heating system, using high temperature gas medium to heat the valve chamber to prevent medium crystallization in the chamber, and ensure valve opening and closing smoothly.
- The valve installed special stem guiding lubrication institution which ensure valve long life in opening and closing of the frequent operation.
- The valve pressure test according to GB/T 13927 standard ; Flange connecting diemension according to the 20596 HG standard.



专利号：ZL 2009 20212857.4

### 主要零部件材料 Main Parts Material



型号 Type	BRZ942Y-16P BRZ942Y-25P	BRZ942Y-16C BRZ942Y-25
阀体、阀盖、闸板 Body,Gland,Gate	CF8	WCB
阀杆 Spindle	SS 304	2Cr13
夹套 Jacket	SS 304	Q235C
阀门密封面 Valve seal	堆焊司太立硬质合金 Hardfaced with stellite	
填料 Packing	柔性石墨 Flexible graphite	

BRZ942Y-16P    BRZ942Y-16C  
 BRZ942Y-25P    BRZ942Y-25    **主要外形与连接尺寸** Main Outline and Connecting Dimension

公称尺寸 DN	公称压力 PN	连接法兰尺寸 Flanged				夹套连接螺纹 Jacket connect screw	外形尺寸 Dimensions	
		D	D1	D2	Z-Ød	Rc	L	H
300	16	460	410	370	12-26	1"	500	1390
	25	485	430	389	16-30	1"	500	1390
350	16	520	470	429	16-26	1"	550	1580
	25	555	490	448	16-33	1"	550	1580
400	16	580	525	480	16-30	1"	600	1640
	25	620	550	503	16-36	1"	600	1640
450	16	640	585	548	20-30	1 1/4"	650	1950
	25	670	600	548	20-36	1 1/4"	650	1950
500	16	715	650	609	20-33	1 1/4"	700	2180
	25	730	660	609	20-36	1 1/4"	700	2220
600	16	840	770	720	20-36	1 1/4"	800	2510
	25	845	770	720	20-39	1 1/4"	800	2510
700	16	910	840	794	24-36	1 1/2"	900	2950
	25	960	875	820	24-42	1 1/2"	900	2950
800	16	1025	950	901	24-39	1 1/2"	1000	3340
	25	1085	990	928	24-48	1 1/2"	1000	3640
1000	16	1255	1170	1112	28-42	1 1/2"	1200	4460
	25	1320	1210	1140	28-55	1 1/2"	1200	5100
1200	16	1485	1390	1328	32-48	2"	1400	6250
	25	1530	1420	1350	32-55	2"	1400	6900

注：根据用户需要，夹套保温介质连接方式可以采用法兰连接。  
 Note: According to the user's requirement, Jacket heat presentation medium connection can use flange connection.

**性能规范** Performance standard

型号 Type	BRZ942Y-16P BRZ942Y-16C	BRZ942Y-25P BRZ942Y-25
公称压力 Nominal Pressure	PN16	PN25
实验压力(MPa) Test Pressure	壳体强度 Shell test	2.4
	高压密封 Seal test	1.76
适用介质 Suitable medium	需要保温、防止结晶的三聚氰胺、氨气、二氧化碳等介质 Melamine ammonia, carbon dioxide and other media which need to heat prevention and anti-crystalization	
适用温度 Suitable temperature	≤400°C	
夹套保温介质 Jacket insulation medium	高温气体 High temperature gas	
夹套工作温度 Working temperature	≤400°C	
内加热工作介质 The medium for inside heating	高温气体 High temperature gas	

注：夹套强度试验压力按照用户的要求。 Note: Jacket strength test according to the user's requirement.

四 BRD943Y-16P BRD943Y-16C 电动防结晶蝶阀  
BRD943Y-25P BRD943Y-25 (Electric prevent crystal butterfly valve)

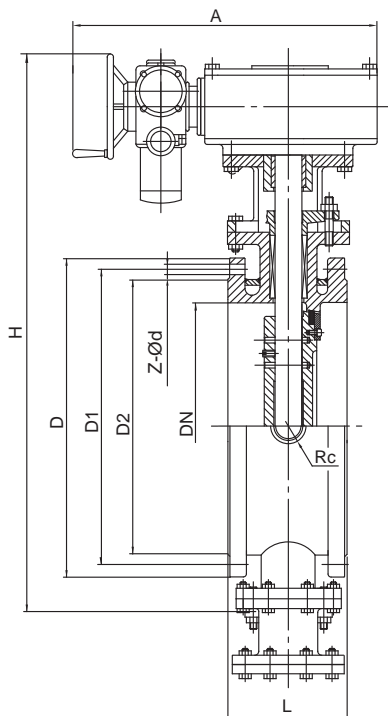


产品特点

- 阀门是为需要保温运行，防止三聚氰胺工艺介质在阀门体腔内结晶，保证工艺系统正常连续运转而设计的专用阀门。
- 阀门采用层叠型金属密封结构，密封性能可靠，耐高温。密封面外层为硬质合金钢片，启闭过程刮除粘附在阀座密封面介质和结晶，保证密封的可靠性。
- 阀门设有保温夹套，适用高温气体对阀门保温，防止介质在壳体内壁结晶。
- 阀门设置内加热系统，利用高温气体对阀门腔体加热，防止介质在内腔结晶，保证阀门的顺利启闭。
- 阀杆轴承设置在体腔外，不接触介质，避免了结晶的影响，保证了启闭力矩的稳定。
- 压力试验标准：GB/T 13927；法兰连接尺寸标准：GB/T 9113.1 HG 20596

Product feature

- The valve is special valves for which need heat preservation operation, prevent melamine process medium crystallization in the body cavity, ensure valve process system normal continuous operation.
- The valve take use of laminating metal seal structure, sealing performance reliable, high heat resistance. Outside of the seal face for hard alloy steel, which remove the medium and crystallization adhering to the seat seal surface during open the closing process, and guarantee the reliability of the seal.
- The valve has insulation jacket, use of high temperature gas to keep the valve temperature , preventing medium crystallization in shell wall.
- The valve installed heating system, using high temperature gas medium to heat the valve chamber to prevent medium crystallization in the chamber, and ensure valve opening and closing smoothly.
- Valve stem bearing set outside the body, which not contact medium, avoid to the influence of crystallization and guarantee the opening and closing stability of the torque.
- The valve pressure test according to GB/T 13927 standard ; Flange connecting diemension according to the 20596 HG standard.



主要零部件材料 Main Parts Material

型号 Type	BRD943Y-16P BRD943Y-25P	BRD943Y-16C BRD943Y-25
阀体、蝶板 Body, Disc	CF8	WCB
阀杆 Spindle	SS 304	2Cr13
夹套 Jacket	SS 304	Q235C
填料Packing	柔性石墨 Flexible graphite	
阀门密封面 Valve seal	体密封面-堆焊司太立硬质合金 Body seal-Hardfaced with stellite 板密封面-层叠型不锈钢 Disc seal-Laminated stainless steel	

BRD943Y-16P    BRD943Y-16C  
 BRD943Y-25P    BRD943Y-25    主要外形与连接尺寸 Main Outline and Connecting Dimension

公称尺寸 DN	公称压力 PN	连接法兰尺寸 Flanged				夹套连接螺纹	外形尺寸 Dimensions		
		D	D1	D2	Z-Ød	Rc	L	A	H
300	16	460	410	370	12-26	1"	178	585	1100
	25	485	430	389	16-30	1"	178	585	1100
350	16	520	470	429	16-26	1"	190	585	1160
	25	555	490	448	16-33	1"	190	585	1160
400	16	580	525	480	16-30	1"	216	585	1265
	25	620	550	503	16-36	1"	216	585	1265
450	16	640	585	548	20-30	1 1/4"	222	702	1350
	25	670	600	548	20-36	1 1/4"	222	702	1350
500	16	715	650	609	20-33	1 1/4"	229	702	1410
	25	730	660	609	20-36	1 1/4"	229	702	1410
600	16	840	770	720	20-36	1 1/4"	267	910	1610
	25	845	770	720	20-39	1 1/4"	267	910	1610
700	16	910	840	794	24-36	1 1/2"	292	910	1780
	25	960	875	820	24-42	1 1/2"	292	910	1805
800	16	1025	950	901	24-39	1 1/2"	318	910	1890
	25	1085	990	928	24-48	1 1/2"	318	910	1920
1000	16	1255	1170	1112	28-42	1 1/2"	410	1030	2120
	25	1320	1210	1140	28-55	1 1/2"	410	1030	2150
1200	16	1485	1390	1328	32-48	2"	470	1030	2450
	25	1530	1420	1350	32-55	2"	470	1030	2480

注：根据用户需要，夹套保温介质连接方式可以采用法兰连接。  
 Note: According to the user's requirement, Jacket heat presentation medium connection can use flange connection.

性能规范 Performance standard

型号 Type	BRD943Y-16P BRD943Y-16C	BRD943Y-25 BRD943Y-25P
公称压力 Nominal Pressure	PN16	PN25
实验压力(MPa) Test Pressure	壳体强度 Shell test	2.4
	高压密封 Seal test	1.76
适用介质 Suitable medium	需要保温、防止结晶的三聚氰胺、氨气、二氧化碳等介质 Melamine ammonia, carbon dioxide and other media which need to heat prevention and anti-crystalization	
适用温度 Suitable temperature	≤400°C	
夹套保温介质 Jacket insulation medium	高温气体 High temperature gas	
夹套工作温度 Working temperature	≤400°C	
内加热工作介质 The medium for inside heating	高温气体 High temperature gas	

注：夹套强度试验压力按照用户的要求。 Note: Jacket strength test according to the user's requirement.

## 五

BQH643H-16C  
BQH643H-25BQH643H-16P  
BQH643H-25P

## 气动保温换向阀

(Pneumatic heat preservation steering valves)

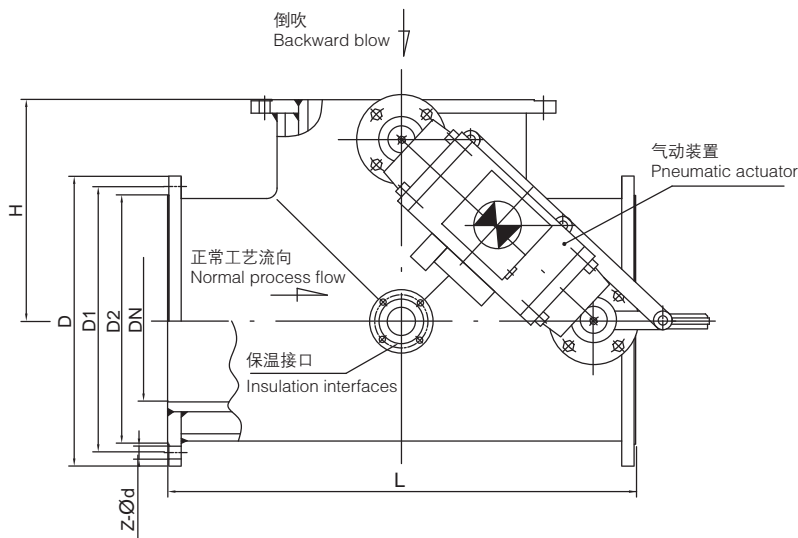


## 产品特点

- 阀门是为需要多路切换，保温运行，防止结晶的三聚氰胺工艺系统设计的专用阀门。
- 阀门设有保温夹套，使用高温气体对阀门的保温。
- 阀门采用层叠型金属密封结构，密封性能可靠，耐高温。密封面外层为硬质合金钢片，启闭过程刮除粘附在阀座密封面介质和结晶，保证密封的可靠性。
- 阀门按照GB/T13927的规定进行压力测试；法兰连接尺寸按HG 20596 的规定。

## Product feature

- The valve is the special valves which need more road switch, heat preservation operation, prevent crystallization in melamine process system.
- The valve has insulation jacket, use of high temperature gas to keep the valve temperature.
- The valve take use of laminating metal seal structure, seal performance reliable, high heat resistance. Outside of the seal face for hard alloy steel, which remove the medium and crystallization adhering to the seat seal surface during opening the closing process, and guarantee the reliability of the seal.
- The valve pressure test according to GB/T 13927 standard ; Flange connecting diemension according to the 20596 HG standard.



## 主要零部件材料 Main Parts Material

型号 Type	阀体、阀板 Body, Disc	阀杆 Spindle	夹套 Jacket	阀门密封面 Valve seal	填料 Packing
BQH643H-16P BQH643H-25P	SS 304	SS 304	SS 304	体密封面-堆焊不锈钢 Body seal: Hardfaced with SS 板密封面-层叠不锈钢 Disk seal: Laminated SS	柔性石墨 Flexible graphite
BQH643H-16C BQH643H-25	Q235C	2Cr13	Q235C	体密封面-硬质合金钢 Body seal: Hard alloy 板密封面-层叠不锈钢 Disk seal: Laminated SS	柔性石墨 Flexible graphite

BQH643H-16C    BQH643H-16P  
 BQH643H-25    BQH643H-25P    **主要外形与连接尺寸**    Main Outline and Connecting Dimension

公称尺寸 DN	公称压力 PN	连接法兰尺寸 Flanged				夹套连接公称尺寸 DN	外形尺寸 Dimensions	
		D	D1	D2	Z-Ød		L	H
250	16	405	355	319	12-26	25	700	400
	25	425	370	330	12-30	25	700	400
300	16	460	410	370	12-26	25	800	450
	25	485	430	389	16-30	25	800	450
350	16	520	470	429	16-26	25	900	500
	25	555	490	448	16-33	25	900	500
400	16	580	525	480	16-30	32	1000	550
	25	620	550	503	16-36	32	1000	550
450	16	640	585	548	20-30	32	1100	600
	25	670	600	548	20-36	32	1100	600
500	16	715	650	609	20-33	32	1200	700
	25	730	660	609	20-36	32	1200	700
600	16	840	770	720	20-36	40	1400	800
	25	845	770	720	20-39	40	1400	800
700	16	910	840	794	24-36	40	1500	900
	25	960	875	820	24-42	40	1500	900
800	16	1025	950	901	24-39	40	1600	1000
	25	1085	990	928	24-48	40	1600	1000

注：根据用户需要，阀门三端公称尺寸及连接法兰尺寸可以不同，应在合同中注明。  
 Note: According to the user's requirement, three dimensions and flange size can be different, should be indicated in the contract.

**性能规范** Performance standard

型号 Type	BQH643H-16C BQH643H-16P		BQH643H-25 BQH643H-25P
公称压力 Nominal Pressure	PN16		PN25
实验压力(MPa) Test Pressure	壳体强度 Shell test	2.4	3.75
	高压密封 Seal test	1.76	2.75
适用介质 Suitable medium	需要保温、防止结晶的三聚氰胺、氨气、二氧化碳等介质 Melamine ammonia, carbon dioxide and other media which need to heat prevention and anti-crystalization		
适用温度 Suitable temperature	≤400°C		
夹套保温介质 Jacket insulation medium	高温气体 High temperature gas		
夹套工作温度 Working temperature	≤400°C		

注：夹套强度试验压力按照用户的要求。  
 Note: Jacket strength test according to the user's requirement.



六

ZAJD4H-16P  
ZAJD4H-25P

ZAJD4H-16C  
ZAJD4H-25

## 气动调节阀 (Pneumatic control valve)



专利号: ZL 2009 20078122.7

### 产品特点

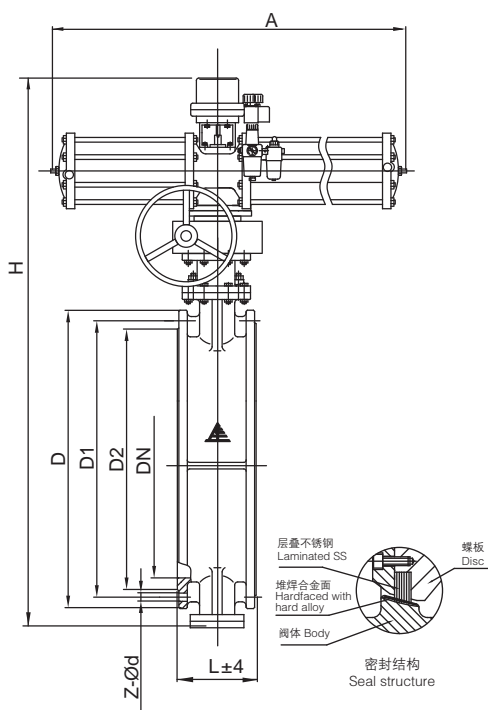
- 阀门是为三聚氰胺工艺系统各种气体管路调节流量设计的专用阀门。
- 阀门采用层叠型金属密封结构，密封性能可靠，耐高温。密封面外层为硬质合金钢片，启闭过程刮除粘附在阀座密封面介质和结晶，保证密封的可靠性。
- 阀门采用大力矩调节型气动装置，以保证稳定可靠的调节性能。阀门采用电气阀门定位器，适用于远距离集中控制。
- 可以配置双作用气动装置，也可以配置单作用气动装置，以满足用户的需要。
- 阀门可以配置手动机构、气动三联件等部件，但应在合同中注明。
- 制造和检验标准：GB/T 4213；  
法兰连接尺寸标准：GB/T 9113.1 HG 20596

### Product feature

- The valve is special designed valves for melamine process system to adjust the flow of gas pipeline.
- The valve type is cascade metal seal structure, Sealing performance reliable, withstand high temperatures. Hard alloy steel outer seal face to face, Opening and closing process in the seat sealing surface adhesion removed by the medium and crystallization, guarantee the reliability of the seal.
- The valve with big torque pneumatic device, in order to ensure stable reliable regulation performance. The valve has electric valves locator, suitable for long distance central control.
- The valve Can be with double role of pneumatic device, also with single configuration function of pneumatic device, to meet the needs of the users.
- Valves can be furnished with manual institutions, pneumatic component such as a joint, but should be indicated in the contract.
- Manufacturing inspection standard: GB/T 4213;  
Flange size standard: GB/T 9113.1 HG 20596

### 主要零部件材料 Main Parts Material

型号 Type	ZAJD4H-16P ZAJD4H-25P	ZAJD4H-16C ZAJD4H-25
阀体、蝶板 Body, Disc	CF8	WCB
阀杆 Spindle	SS 304	2Cr13
填料 Packing	柔性石墨 Flexible graphite	柔性石墨 Flexible graphite
阀座密封面 Seat seal	体密封面-堆焊硬质合金钢 Body seal: Hardfaced with SS 板密封面-层叠型不锈钢 Disc seal: Laminated SS	





ZAJD4H-16P  
ZAJD4H-25P

ZAJD4H-16C  
ZAJD4H-25

### 主要外形与连接尺寸 Main Outline and Connecting Dimension

公称尺寸 DN	公称压力 PN	连接法兰尺寸 Flanged				外形尺寸 Dimensions		
		D	D1	D2	Z-Ød	L	A	H
200	16	340	295	266	12-22	152	600	710
	25	360	310	274	12-26	152	600	710
250	16	405	355	319	12-26	165	600	785
	25	425	370	330	12-30	165	600	765
300	16	460	410	370	12-26	178	750	1100
	25	485	430	389	16-30	178	750	1100
350	16	520	470	429	16-26	190	750	1160
	25	555	490	448	16-33	190	750	1160
400	16	580	525	480	16-30	216	1060	1265
	25	620	550	503	16-36	216	1060	1265
450	16	640	585	548	20-30	222	1060	1350
	25	670	600	548	20-36	222	1060	1350
500	16	715	650	609	20-33	229	1060	1410
	25	730	660	609	20-36	229	1380	1410
600	16	840	770	720	20-36	267	1380	1610
	25	845	770	720	20-39	267	1380	1610
700	16	910	840	794	24-36	292	1380	1780
	25	960	875	820	24-42	292	1380	1805
800	16	1025	950	901	24-39	318	2840	1890
	25	1085	990	928	24-48	318	2840	1920
1000	16	1255	1170	1112	28-42	410	2840	2120
	25	1320	1210	1140	28-55	410	2840	2150
1200	16	1485	1390	1328	32-48	470	3300	2450
	25	1530	1420	1350	32-55	470	3300	2480

注：根据用户需要，夹套保温介质连接方式可以采用法兰连接。

Note: According to the user's requirement, Jacket heat presentation medium connection can use flange connection.

### 性能规范 Performance standard

型号 Type	ZAJD4H-16P	ZAJD4H-16C	ZAJD4H-25P	ZAJD4H-25
公称压力 Nominal Pressure	PN16		PN25	
实验压力(MPa) Test Pressure	壳体强度 Shell test	2.4	3.75	
	高压密封 Seal test	1.76	2.75	
适用介质 Suitable medium	三聚氰胺、氨气、二氧化碳等介质 Melamine ammonia, carbon dioxide and other media			
适用温度 Suitable temperature	≤400°C			
密封等级 Seal class	VI级 ( VI Grade )			
输出信号 Output signal	4~20mA			

注：夹套强度试验压力按照用户的要求。 Note: Jacket strength test according to the user's requirement.

七

PBQ940GY-16P

PBQ940GY-25P

## 电动偏心耐磨阀

PBQ940GY-16C

PBQ940GY-25

(Electric eccentric wear resistant valve)



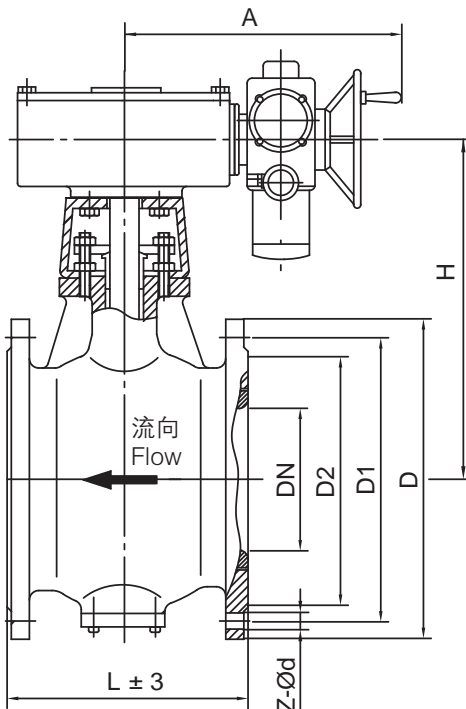
## 产品特点

- 阀门流通能力大，不沉积杂物，可广泛应用于固体颗粒、粉尘、料浆及易结晶等各种介质的管道系统，作启闭或调节流量用。
- 阀门启闭件采用偏心结构，开启时迅速脱离阀座，有效防止密封面的摩擦损伤，并减小了操作力矩，延长了阀门的使用寿命。
- 阀门启闭件密封面采用超音速火焰喷涂工艺喷涂碳化钨高硬涂层，阀座密封面堆焊司太立硬质合金，耐冲刷、耐磨损。
- 压力试验标准：GB/T 13927  
法兰连接尺寸标准：GB/T 9113.1 HG 20596

## Product feature

- The valve has big circulation, do not force sedimentary sundry, can be widely used in solid particles, dust, pulp and easily crystallized, etc. Various kinds of medium pipeline system, as an opening and closing and flow adjusting.
- The valve with opening and closing eccentric structure, open quickly from the seat, effectively prevent the sealing surface friction damage, and decreases the operation torque, extended the valve is designed for use life.
- The opening and closing seal face of the valve use the seattle flame process spraying high tungsten carbide hard coating, seat sealing surface surfacing Stellite, scouring resistance and wear resistance.
- Manufacturing inspection standard: GB/T 13927  
Flange size standard: GB/T 9113.1 HG 20596

## 主要零部件材料 Main Parts Material



型号 Type	PBQ940GY-16P PBQ940GY-25P	PBQ940GY-16C PBQ940GY-25
阀体 Body	CF8	WCB
半球体 hemispheroid	CF8 密封面喷涂碳化钨 Seal face coating with tungsten carbide	WCB 密封面喷涂碳化钨 Seal face coating with tungsten carbide
阀座密封面 Seat seal	堆焊司太立硬质合金 Hardfaced with stellite	
阀杆 Spindle	17-4PH	2Cr13
填料 Packing	柔性石墨 Flexible graphite	

PBQ940GY-16P PBQ940GY-25P  
 PBQ940GY-16C PBQ940GY-25

### 主要外形与连接尺寸 Main Outline and Connecting Dimension

公称尺寸 DN	公称压力 PN	连接法兰尺寸 Flanged				外形尺寸 Dimensions		
		D	D1	D2	Z-Ød	L	A	H
250	16	405	355	319	12-26	330	526	168
	25	425	370	330	12-30	330	526	168
300	16	460	410	370	12-26	390	550	168
	25	485	430	389	16-30	390	550	168
350	16	520	470	429	16-26	430	580	460
	25	555	490	448	16-33	430	580	460
400	16	580	525	480	16-30	530	610	460
	25	620	550	503	16-36	530	610	460
450	16	640	585	548	20-30	590	630	610
	25	670	600	548	20-36	590	630	610
500	16	715	650	609	20-33	630	650	610
	25	730	660	609	20-36	630	650	610
600	16	840	770	720	20-36	800	690	650
	25	845	770	720	20-39	800	690	650
700	16	910	840	794	24-36	900	730	650
	25	960	875	820	24-42	900	730	650
800	16	1025	950	901	24-39	1000	810	740
	25	1085	990	928	24-48	1000	810	740

### 性能规范 Performance standard

型号 Type		PBQ940GY-16P PBQ940GY-16C	PBQ940GY-25P PBQ940GY-25
公称压力 Nominal Pressure		PN16	PN25
实验压力(MPa) Test Pressure	壳体强度 Shell test	2.4	3.75
	高压密封 Seal test	1.76	2.75
适用介质 Suitable medium		料浆、粉状、颗粒状介质 Powder, granule media.	
适用温度 Suitable temperature		≤400°C	

## 八

VQ640GY-16P  
VQ640GY-25PVQ640GY-16C  
VQ640GY-25

## 气动V型耐磨阀

(Pneumatic V type wear resistant valve)

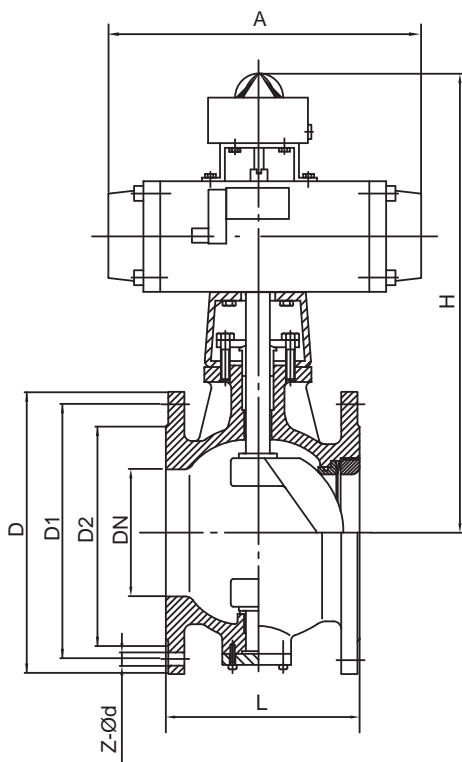


## 产品特点

- 阀门是为三聚氰胺工艺系统粉状、颗粒状介质管道设计的专用阀门。
- 阀门关闭过程中V型口紧贴阀座运动，刮除密封面的结晶和杂质，保证阀门的可靠密封。
- V型球体表面采用超音速火焰喷涂工艺喷涂碳化钨高硬涂层，阀座密封面堆焊司太立硬质合金，耐冲刷、耐磨损。
- 根据用户需要阀门可以增加保温夹套,用高温气体对阀门保温，防止物料在壳体内壁结晶。
- 压力试验标准：GB/T 13927  
法兰连接尺寸标准：GB/T 9113.1 HG 20596

## Product feature

- The valve is special designed valves for melamine process system which the medium of the pipe is Powdery and granular.
- In the process of valve closed mouth V type to seat sports, removed by the crystallization of sealing surface and magazines, guarantee the reliability of the valve.
- V type sphere surface use the seattle flame process spraying high tungsten carbide hard coating, seat sealing surface stellite, scouring resistance welding and wear resistance.
- According to the needs of user the valve can increase heat preservation clip set with high temperature, gas valve, prevent heat preservation material to the inner shell crystallization.
- Manufacturing inspection standard: GB/T 13927  
Flange size standard: GB/T 9113.1 HG 20596



## 主要零部件材料 Main Parts Material

型号 Type	VQ640GY-16P VQ640GY-25P	VQ640GY-16C VQ640GY-25
阀体 Body	CF8	WCB
V型半球体 V type hemispheroid	CF8 密封面喷涂碳化钨 Seal face coating with tungsten carbide	WCB 密封面喷涂碳化钨 Seal face coating with tungsten carbide
阀座密封面 Seat seal	堆焊司太立硬质合金 Hardfaced with stellite	
阀杆 Spindle	17-4PH	2Cr13
填料 Packing	柔性石墨 Flexible graphite	

VQ640GY-16P    VQ640GY-16C  
 VQ640GY-25P    VQ640GY-25

主要外形与连接尺寸 Main Outline and Connecting Dimension

公称尺寸 DN	公称压力 PN	连接法兰尺寸 Flanged				外形尺寸 Dimensions		
		D	D1	D2	Z-Ød	L	A	H
250	16	405	355	319	12-26	330	926	780
	25	425	370	330	12-30	330	926	780
300	16	460	410	370	12-26	390	1090	1060
	25	485	430	389	16-30	390	1090	1060
350	16	520	470	429	16-26	430	1100	1060
	25	555	490	448	16-33	430	1100	1060
400	16	580	525	480	16-30	530	1210	1360
	25	620	550	503	16-36	530	1210	1360
450	16	640	585	548	20-30	590	1280	1360
	25	670	600	548	20-36	590	1280	1360
500	16	715	650	609	20-33	630	1360	2350
	25	730	660	609	20-36	630	1360	2350
600	16	840	770	720	20-36	800	1450	2840
	25	845	770	720	20-39	800	1450	2840
700	16	910	840	794	24-36	900	1570	2840
	25	960	875	820	24-42	900	1570	2840
800	16	1025	950	901	24-39	1000	1680	3300
	25	1085	990	928	24-48	1000	1680	3300

性能规范 Performance standard

型号 Type	VQ640GY-16P    VQ640GY-16C	VQ640GY-25P    VQ640GY-25
公称压力 Nominal Pressure	PN16	
实验压力(MPa) Test Pressure	壳体强度 Shell test	3.75
	高压密封 Seal test	2.75
适用介质 Suitable medium	粉状、颗粒状介质 Powder, granule media.	
适用温度 Suitable temperature	≤400℃	

## 九 HTH47H-16P HTH47H-16C

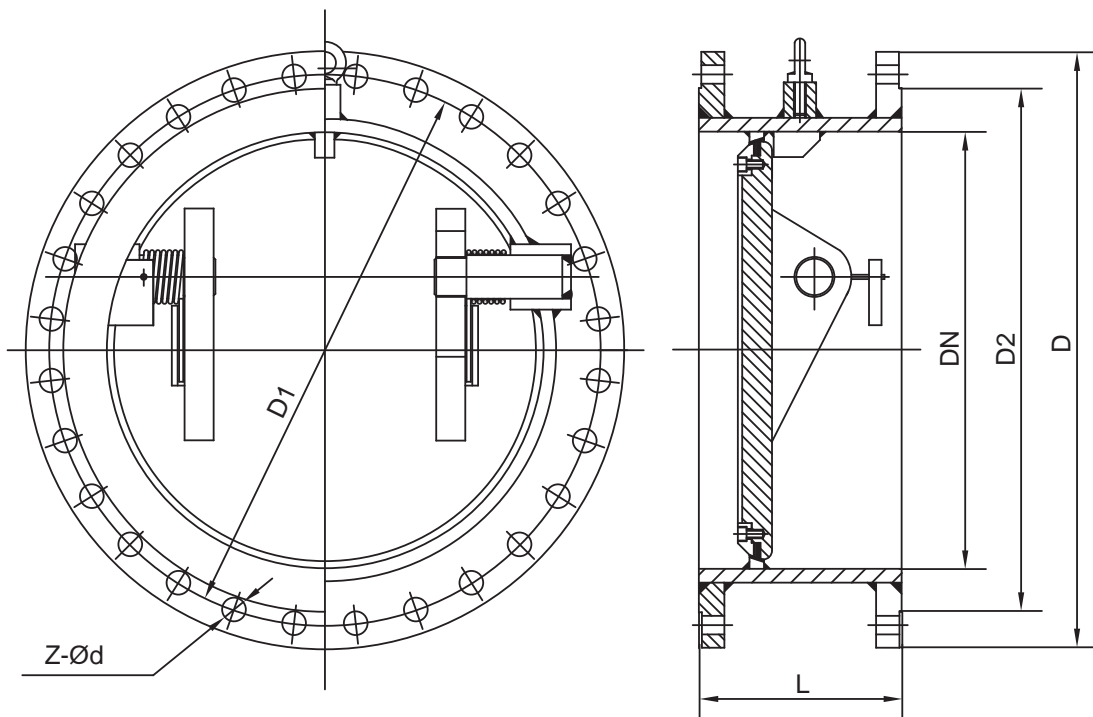
载气止回阀  
(Carrier gas check valve)

## 产品特点

- 阀门是为气态法三聚氰胺生产装置载气系统设计的专用阀门,用于压机出口或管道系统,防止介质倒流,保护工艺过程和设备的安全。
- 阀门结构简单,壳体无泄漏点,可靠性高;阀门结构尺寸短,体积小,有利于配管,节省泵房空间。
- 阀门采用层叠型金属密封结构,密封性能可靠,耐高温。
- 阀门按照GB/T 13927的规定进行压力试验;法兰连接尺寸按HG 20596的规定。
- 根据用户的需要,阀门可以增加液压缓闭系统,实现静音关闭。

## Product feature

- The valve is gaseous method melamine production equipment carrier gas system design of special valves, Used for compressor piping system, prevent export or medium flow back, protect the safety equipment and process.
- The valve structure simple, shell no leakage point, high reliability, the valve structure size, small volume, be helpful for short pipe, save pump room space.
- The valve type is laminated metal seal structure, Sealing performance reliable, withstand high temperatures.
- The valve according to GB/T 13927 the rules of the pressure test, flange size according to the provisions of the 20596 HG.





## 主要零部件材料 Main Parts Material

型号 Type	阀体、阀板 Body, Disc	阀杆 Spindle	阀门密封面 Valve seal	助关弹簧 Disc spring
HTH47H-16P	SS 304	SS 304	体密封面-堆焊不锈钢 Body seal: Hardfaced with SS 板密封面-层叠不锈钢 Disc seal: Laminated SS	30W4Cr2VA
HTH47H-16C	Q235C	SS 304	体密封面-硬质合金钢 Body seal: Hard alloy 板密封面-层叠不锈钢 Disc seal: Laminated SS	30W4Cr2VA

## HTH47H-16P HTH47H-16C 主要外形与连接尺寸 Main Outline and Connecting Dimension

公称尺寸 DN	连接法兰尺寸 Flanged				外形尺寸 Dimensions
	D	D1	D2	Z-Ød	L
300	460	410	370	12-26	270
350	520	470	429	16-26	290
400	580	525	480	16-30	310
450	640	585	548	20-30	330
500	715	650	609	20-33	350
600	840	770	720	20-36	390
700	910	840	794	24-36	430
800	1025	950	901	24-39	470
1000	1255	1170	1112	28-42	550
1200	1485	1390	1328	32-48	630

## 性能规范 Performance standard

型号 Type	HTH47H-16P HTH47H-16C	
公称压力 Nominal Pressure	PN16	
实验压力(MPa) Test Pressure	壳体强度 Shell test	2.4
	高压密封 Seal test	1.76
适用介质 Suitable medium	氨气、二氧化碳气体等介质 Ammonia, carbon dioxide and other media	
适用温度 Suitable temperature	≤ 400°C	

上海生产园区：上海市嘉定江桥工业园区江桥路35号(201803)

安徽生产园区：安徽省和县经济开发区斯瑞尔工业园

公司电话/传真：电话：+86-21-59141010 700210037800

传真：+86-21-59141212

公司网址：<http://www.ht-valve.com>

电子邮箱：[sales@ht-valve.com](mailto:sales@ht-valve.com)

Shanghai Factory: No.35 Jiangqiao Road, Jiangqiao Industry Zone,  
Jiading District, Shanghai (201803)

Anhui Factory: SIRUIER industry zone, hexian economy develop zone, Anhui.

Tel and Fax: T: +86-21-59141010 700210037800

F: +86-21-59141212

URL: <http://www.ht-valve.com>

E-mail: [sales@ht-valve.com](mailto:sales@ht-valve.com)

1 3 3 0 7 3 2 8 - 9

